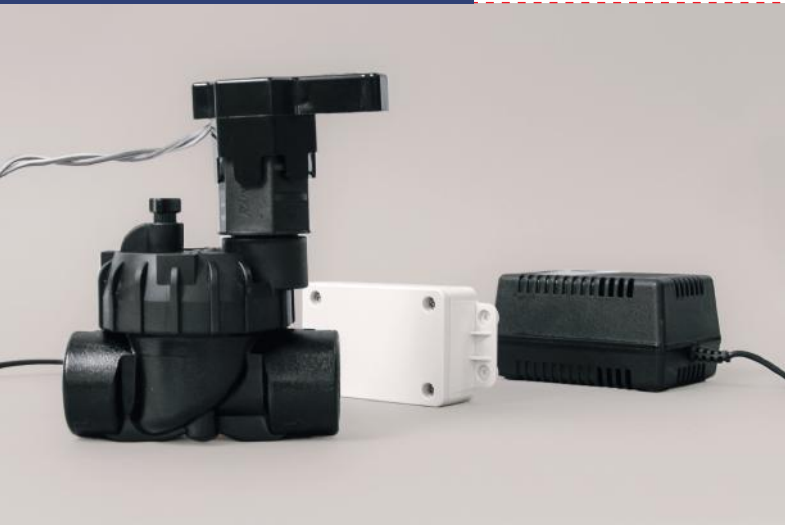


433 MHz



In order to fully explore the functions of YOODA Garden set, we encourage you to read this manual before using it. YOODA Garden set is compatible with all of the one-way YOODA transmitters.

1. Technical information



The set contains:

- Power supply adapter
- Electro valve
- Radio receiver

Single channel USB key ring remote control, black

1. Electro valve:

a) Through-hole configuration with 1" internal threads

b) Electromagnetic coil:
24 VAC 50 Hz

c) Flow:
0,06 - 9,08 m³/h

d) Pressure:
1,0 - 10,4 bar

e) Starting current:
0,3 A

f) Holding current:
0,19 A

g) Dimensions:
102 x 79 x 127 mm

2. Power supply adapter:

a) Input voltage:
230 V 50 Hz

b) Output voltage:
24 V 50 Hz

c) Output current:
1A

3. Radio receiver:

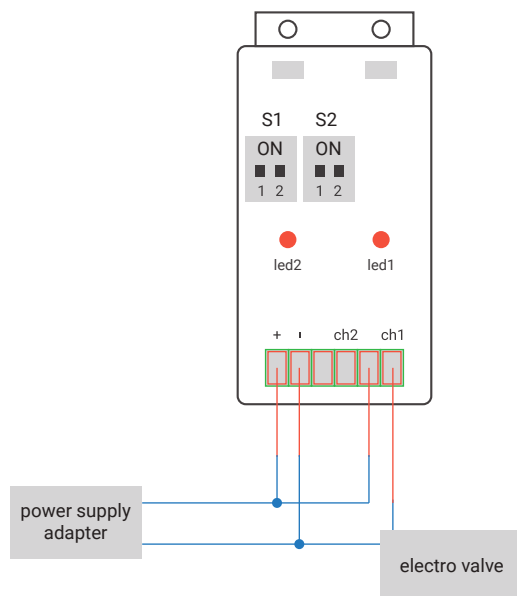
a) Power supply:
12/24 V AC/DC

b) Operating frequency:
433 MHz

c) Memory:
up to 25 transmitters

d) Dimensions:
98 x 55 x 30 mm

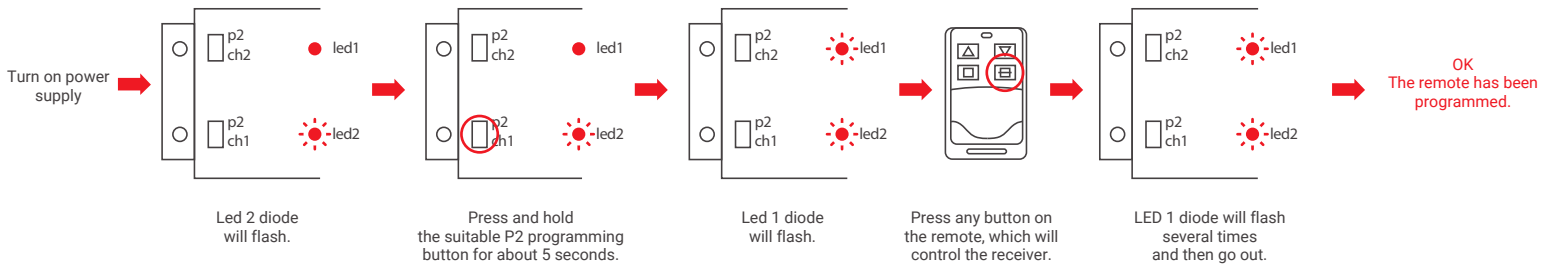
2. Connection



3. Remote control programming



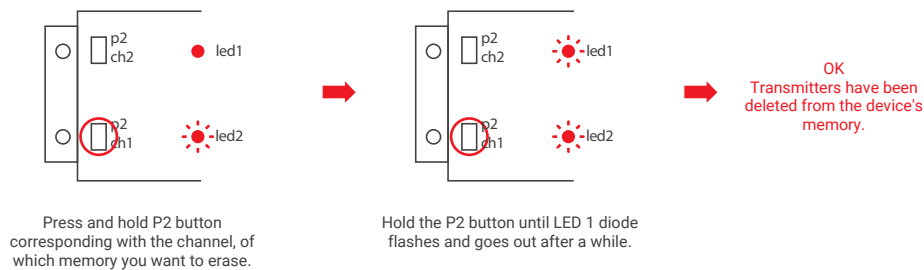
- Each of the two channels has its own programming button. While updating, you must operate with the right button - depending on which channel you want to programme a transmitter (P2 - ch2 or P2 - ch1).
- The following instructions are the procedure of programming the first and the next transmitter. The device is able to remember up to 25 transmitters on each channel. The procedure of programming another one will cause the deletion of the first transmitter programmed on the device.



4. Erasing receiver's memory



By carrying out this operation you will delete all of the transmitters that have been programmed on this channel.

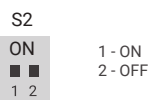


5. Operating mode



Moduł radiowy posiada czterostopniową regulację czasu podtrzymania przekaźnika. Przełącznik S1 odpowiada za ustawienie kanału 1, a S2 kanału 2.

1. Support mode



After pressing the controlling button on the remote, the relay is activated on the output. To disable it, press the controlling button on the remote again.

2. Pulse mode



After pressing the controlling button on the remote, the relay is only activated on the output for 0,5 s.

3. 5-minute support mode



After pressing the controlling button on the remote, the relay is activated on the output for 5 minutes or until you press the controlling button again.

4. 20-minute support mode



After pressing the controlling button on the remote, the relay is activated on the output for 20 minutes or until you press the controlling button again.